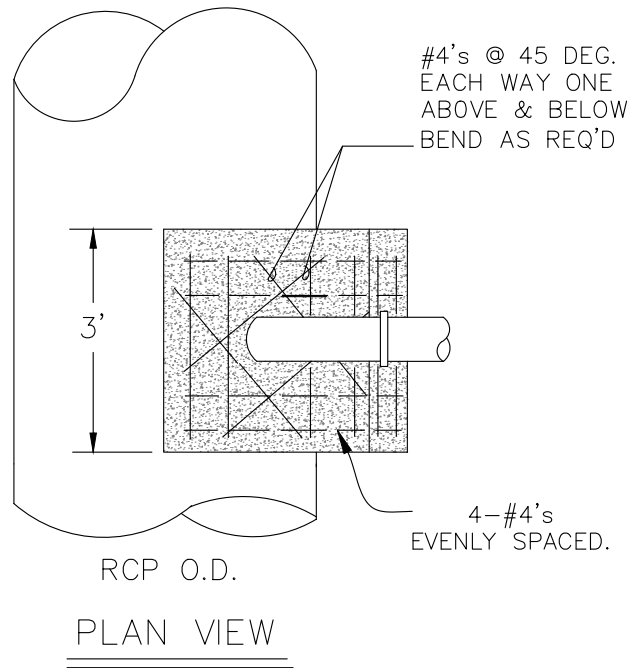


NOTES

1. CONCRETE FORMS MAY BE REQUIRED FOR LARGER EXCAVATIONS.
2. INSPECTION OF REINFORCEMENT REQUIRED BEFORE RVSS WILL ALLOW BORING OF INTERCEPTOR WALL BY RVSS PRE-QUALIFIED CONTRACTOR.
3. PLUG TAP TO ALLOW 72 HR'S MIN CONC. CURE TIME PRIOR TO EXTENDING SERVICE
4. CONCRETE SHALL BE MINIMUM 4000PSI TYPE II CEMENT
5. REQUIRED ON CONCRETE INTERCEPTOR SEWER LINES 24" AND LARGER
6. 6" MAXIMUM TAP SIZE. 8" TAPS MAY BE ALLOWED WITH RVSS APPROVAL.
7. TAP SHALL BE MINIMUM 18" FROM INTERCEPTOR PIPE JOINT.

INTERCEPTOR



ROGUE VALLEY SEWER SERVICES

138 WEST VILAS ROAD, CENTRAL POINT, OREGON 97502
(541) 779-4144, Fax (541) 664-7171

SMALL DIAMETER SERVICE CONNECTION
TO INTERCEPTOR SEWER LINES

Rev. 12/98
Rev. 9/07
Rev. 8/17
Rev. 1/25

STANDARD
DRAWING
NO.
5-5
DATE: 1/25